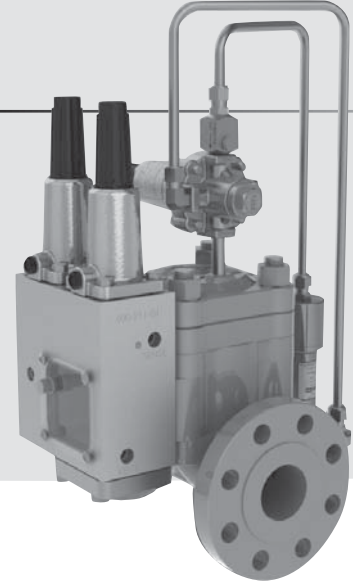




# 2" Large Port Flowgrid® Regulator and Shutoff Valve

Flanged CL 150, 300 NPT & SWE CL 300 Buttweld CL 300

The 2" Mooney Flowgrid Slam Shut is a combination of a regulator and a slam shut. In addition to pressure regulation, this pneumatically actuated device provides automatic downstream pressure protection. By separating the pneumatic controller and mechanical latching mechanism, shut off occurs only when designated set points are reached. The patent pending design prevents disruptive and costly "accidental shutoffs". Positive shutoff is achieved instantly through the snap acting mechanism, and reset can be completed with common tools.

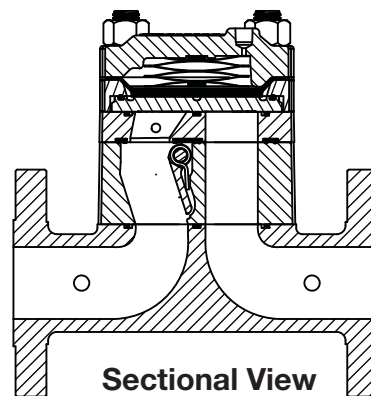


Flowgrid® Regulator with Integral Shutoff Valve, Series 50D Dual Function Controller.

## Specifications

<b>Size</b>	2"
<b>Body Style</b>	Large Port with Slam Shut
<b>End Connections</b>	2" NPT CL 300, 2" SWE CL 300, 2" CL 150 RF Flange, 2" CL 300 RF Flange, 2" Buttweld CL 300
<b>Temperature</b>	Working -20°F to 150°F (-29°C to 65°C)
<b>Minimum Differential</b>	Refer to Graph on pg 2
<b>Cracking Differential</b>	Refer to Graph on pg 2
<b>Maximum Inlet Pressure</b>	740 psig (50 bar)
<b>Outlet Pressure Range</b>	Limited by SSV controller and Series 20 Pilot
<b>Flow Direction</b>	Uni-Directional
<b>Taps</b>	Four 1/4" - 18 NPT (one inlet, one center port*, one loading and one downstream)

\*Center port - between flapper valve and regulator



Sectional View

## Materials of Construction

<b>Body &amp; Spring Case, Seal Retainer and Flapper Body</b>	ASTM A 216 GR WCB Carbon Steel
<b>Throttle Plate, Flapper and Shaft</b>	17 - 4PH Stainless Steel or A515 Carbon Steel with ENC Coating
<b>Diaphragm</b>	Nitrile/Nylon*
<b>O-Ring and Seals</b>	Nitrile, Optional Viton®
<b>Studs and Nuts</b>	ASTM A 193 GR B-7 ASTM A 194 GR 2H or Equal
<b>Springs</b>	301 Stainless Steel ASTM A 313-03 17-17 SS
<b>Bushings</b>	Acetal

## Stock Numbers

2" Large Port Flowgrid Regulator & Shutoff Valve	Stock Number	Retrofit	Weight
<b>NPT CL 300</b>	SG-27	SR-27	58 lbs
<b>SWE CL 300</b>	SG-28	SR-28	58 lbs
<b>150# Flange</b>	SG-29	SR-29	69 lbs
<b>300 # Flange</b>	SG-30	SR-30	73 lbs
<b>Buttweld CL 300</b>	SG-77	SR-77	64 lbs

